

Technical Specification



Application Examples:

- Suitable for Domestic & Commercial Installations
- Indoor / Outdoor Use (Suitable Fittings)

Typical Installations:

- Cabinet Lighting
- Under Cupboard Lighting
- Wall Lighting
- Walk Over Lighting
- Garden Lighting
- Commercial Uses :
Retail, Restaurants, Exhibition Rooms,
Hospitality Areas, Corridors



Features

Instant Switch-On Time
GX53 Lamp Base
Mercury Free
25,000 Hour Lifetime
3.3W Nominal Wattage
Cool Running
230V~ Mains Powered

Benefits

Suitable For Use With Motion Sensors
Direct Replacement for Existing GX53 Lamps
Compact Fluorescent Alternative
Long Lamp Life
Low Energy Consumption
Suitable For Low Level Installations
No LED Driver Required

V1.0

Scolmore International Ltd, 1 Scolmore Park, Landsberg, Lichfield Road Ind. Estate, Tamworth, Staffordshire, B79 7XB

Telephone: 01827 63454

E-mail: sales@scolmore.com, technical@scolmore.com

Facsimile: 01827 63362

Website: www.scolmore.com

Technical Specification

Technical Specification

Product Code	OVLA9001C3	
Description	3.3W GX53 Cool White Non Dimmable 110°	
ELECTRICAL DATA	Nominal Wattage (W)	3.3W
	Voltage (V)	220-240V
	Input Current (mA)	30 mA
	Input Frequency (Hz)	50 Hz
	Equivalent Lamp Wattage	25W
	Lamp Power Factor	0.4
	Efficacy (lm/W)	75.8
	Optimal Operating Condition (° C)	-20° to +45°C
PHOTOMETRIC DATA	Luminous Intensity (cd)	N/A
	Luminous Flux (lm)	250 lm
	Colour Temperature (K)	4000 K
	Colour Consistency	6 SCDM
	Colour Rendering (Ra)	80
	Light Colour	Cool White
LIGHT DATA	LED Quantity	50
	Beam Angle	110°
	Starting Time	< 0.2 s
	Warm Up Time	Instant (< 1 s)
LIFETIME	Lamp Life Time (h)	25,000 hours
	Number of Switching Cycles	20,000
	LLMF	0.7
PHYSICAL DATA	Dimmable (Yes/No)	No
	Length (mm)	25.5 mm
	Diameter (mm)	75 mm
	Weight (Kg)	0.046 Kg
ADDITIONAL INFORMATION	Lamp Source and Type	SMD LED
	Lamp Base	GX53
	Lamp Shape	GX53
	Mercury Free	Yes
	Warranty	2 Years

Errors & Omissions excluded. Specification is subject to change without notice.

V1.0

Scolmore International Ltd, 1 Scolmore Park, Landsberg, Lichfield Road Ind. Estate, Tamworth, Staffordshire, B79 7XB

Telephone: 01827 63454

E-mail: sales@scolmore.com, technical@scolmore.com

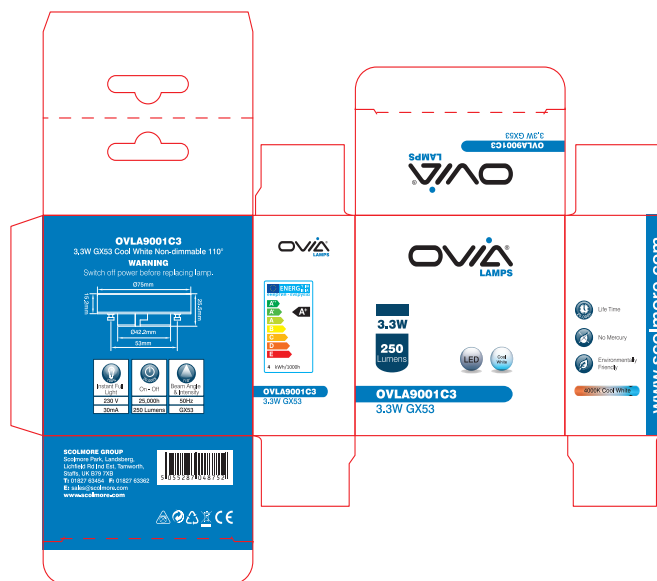
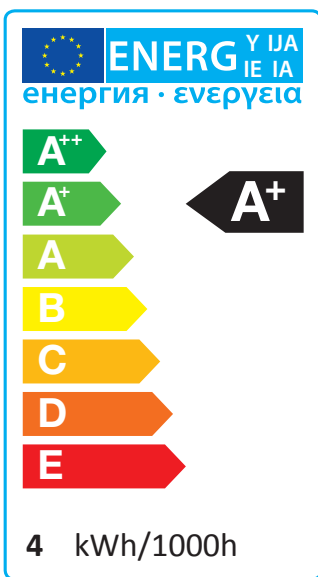
Facsimile: 01827 63362

Website: www.scolmore.com

Technical Specification

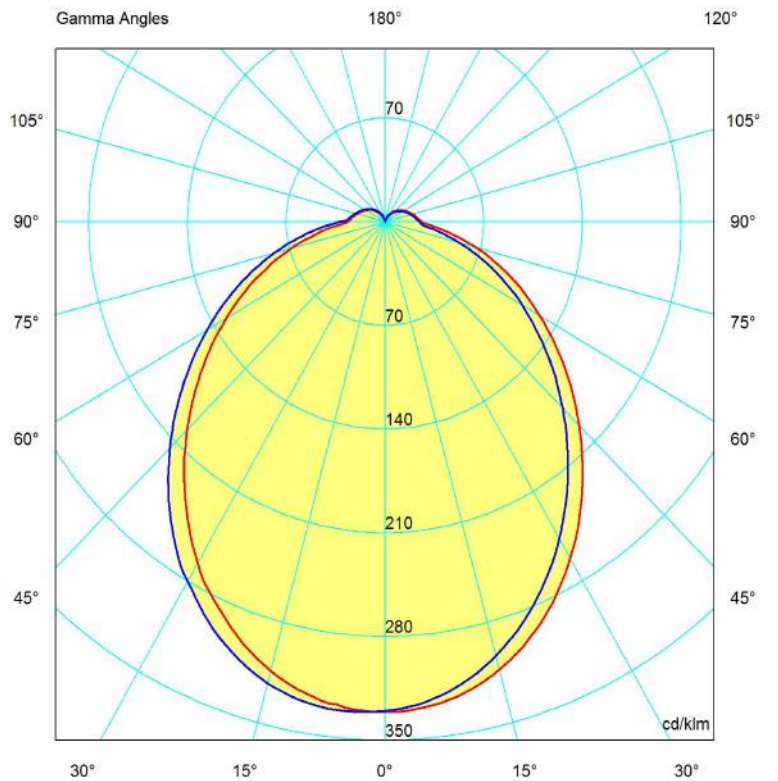
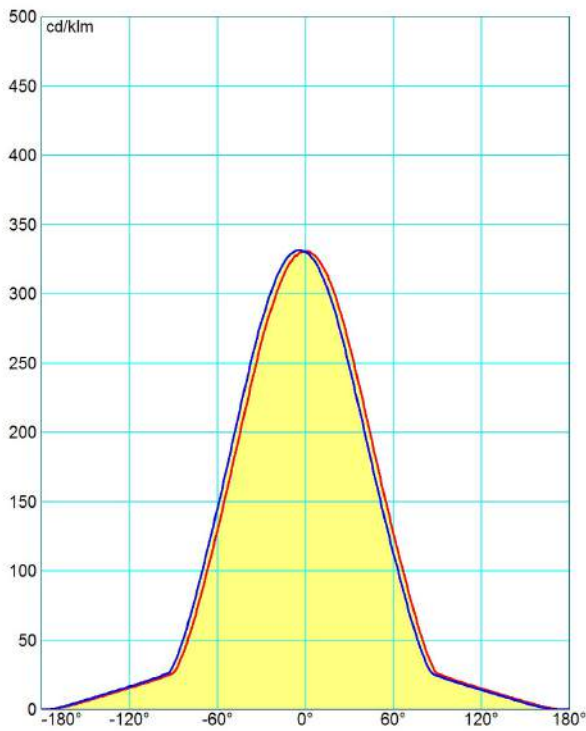
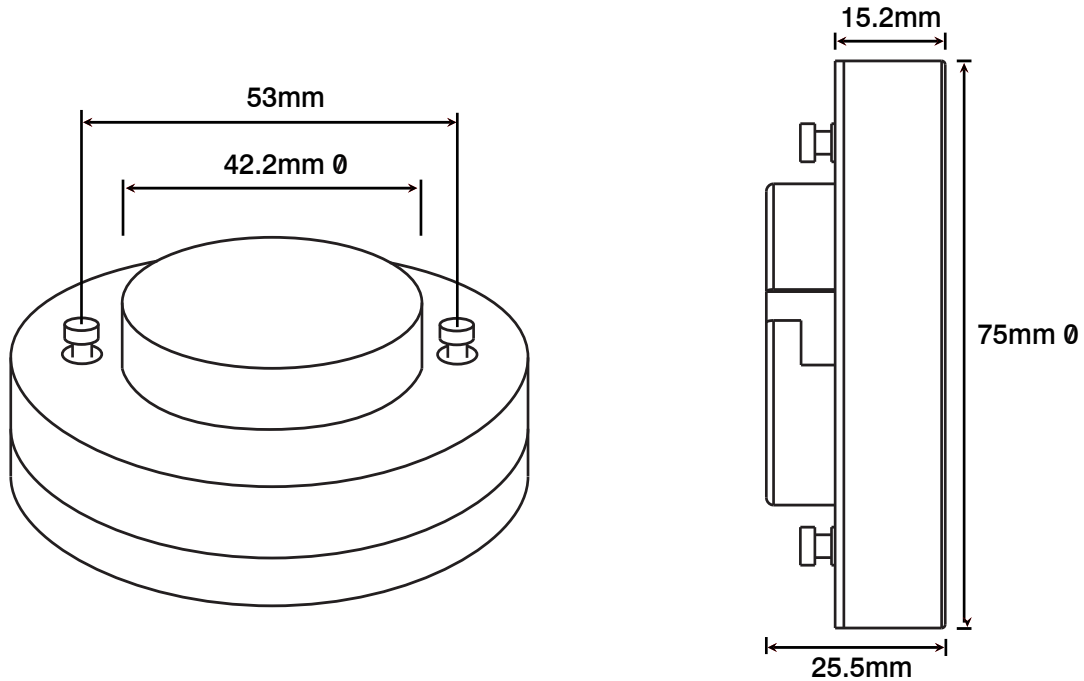
Packaging Dimensions & Weight

Single Box Dimensions	78 mm x 38 mm x 78 mm
Outer Carton Dimensions	245 mm x 164 mm x 93 mm
Outer Carton Quantity	12
Gross Weight	0.895 Kg



LED Lamps to be disposed as special waste

Technical Specification



V1.0

**DECLARATION OF CONFORMITY**

1. *Issuer Name* Scolmore International Limited
2. *Issuer Address* 1 Scolmore Park, Landsberg,
Lichfield Road Industrial Estate,
Tamworth, Staffordshire, B79 7XB
3. *Object(s) of Declaration* OVIA Lamps Range
- a. *Group* GX53 LED Lamps
- b. *Model(s) No.* OVLA9001C3
4. *The object of the declaration described above is in conformity with the requirements of the following Legislations:*

Document No	Title
2004/108/EC	EMC Directive
2006/95/EC	Low Voltage Directive
2009/125/EC	ErP Directive
2011/65/EU	RoHS Directive
1907/2006/EC	Reach Regulations
2012/19/EU	WEEE Directive

5. *All products contained within the aforementioned comply with the relevant standards and requirements listed below.*

EN 62560 : 2012, EN 62471 : 2008, EN 62493 : 2010
EN 55015 : 2006/ A2 :2009, EN 55015 : 2013, EN 61547 : 2009
EN 61000-3-2 : 2006 + A1 + A2, EN 61000-3-3 : 2008, EN 61000-3-3 : 2013

6. *I hereby declare that the equipment named above has been designed to comply with the relevant sections of the above referenced specifications. The unit complies with all applicable Essential Requirements of the Directives.*

In conjunction with the above all manufacture and process controls are in accordance with ISO 9001:2008

Signed at, for and on behalf of: Scolmore International Limited

Steven Bettson BSc - Senior Technical Support Engineer

CE 14